

GHM SensorSimulator SIM-1



Characteristics

The GHM SensorSimulator outputs various voltage and current signals.

The GHM SensorSimulator can also simulate sensors such as Pt100, thermocouples and strain gage sensors optimally through the additional back-up measurement of the supply voltages and currents of the connected measuring amplifiers. Optionally a frequency output is available.

It can be used to calibrate and verify displays, transducers or complete measurement chains.

In addition, voltages and currents can be measured with the device.

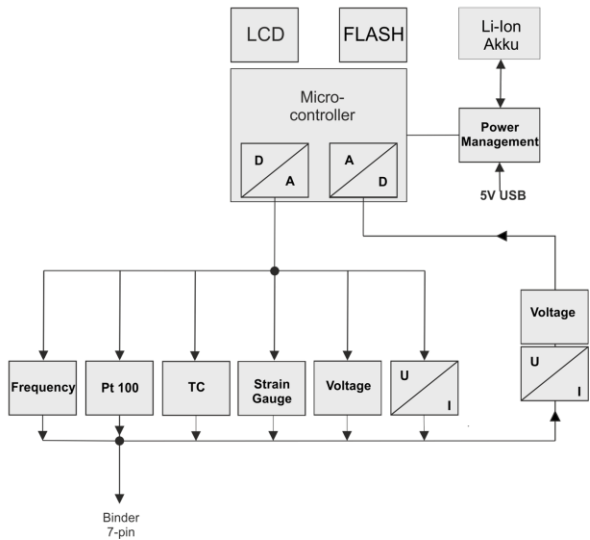
Technical Data

General	
Accuracy	See Simulation and Measure
Connection	7-pol. Binder socket for Signal In- and Output Micro-USB for Supply voltage and charging
Display	Graphic-LCD, monochrome, (180 x 128 Pixel) adjustable backlighting
Operation	Keypad
Languages	German, English
Dimensions	160 x 86 x 37 mm (H x W x D)
Weight	250g (incl. Accu)
Supply voltage	5 V DC (Micro-USB)
Accu	Lithium-Ion
Ambient temperature	0..+50 °C

Simulation		
Voltage	Simulation Range	± 10 V
	Accuracy	± 1 %
Signal Current	Simulation Range	± 25 mA
	Accuracy	± 1 %
Strain Gage	Simulation Range	0, 0.5, 1, 2, 4, 5, 10, 25, 50 mV/V
	Accuracy	± 1 %
	Supply	2,5 V, 5 V, 10 V
Thermo-couple, Type K (Others opt.)	Simulation Range	-100..+1000 °C (-100 .. 100 °C: 10°C steps 100 .. 500 °C: 25°C steps 500 .. 1000 °C: 50°C steps)
	Accuracy	simulated compensation: ±1%; internal temperature measurement: ± 3 K
Thermo-couple, Type J (Others opt.)	Simulation Range	-100..+1000 °C (-100 .. 100 °C: 10°C steps 100 .. 500 °C: 25°C steps 500 .. 1000 °C: 50°C steps)
	Accuracy	simulated compensation: ±1%; internal temperature measurement: ± 3 K
Thermo-couple, Type N (Others opt.)	Simulation Range	-100..+1250 °C (-100 .. 100 °C: 10°C steps 100 .. 500 °C: 25°C steps 500 .. 1250 °C: 50°C steps)
	Accuracy	simulated compensation: ±1%; internal temperature measurement: ± 3 K
Thermo-couple, Type S (Others opt.)	Simulation Range	-50..+1600 °C (-50 .. 100 °C: 10°C steps 100 .. 500 °C: 25°C steps 500 .. 1600 °C: 50°C steps)
	Accuracy	simulated compensation: ±1%; internal temperature measurement: ± 3 K
Pt100	Simulation Range	-100..+850 °C (-100 .. 100 °C: 10°C steps 100 .. 500 °C: 25°C steps 500 .. 850 °C: 50°C steps)
	Accuracy	± 1 %
Frequency (Option F)	Simulation Range	1 Hz .. 500 kHz (Steps: 1 .. 10 Hz: 1 Hz 10 .. 100 Hz: 10 Hz 100 Hz .. 1 kHz: 100 Hz 1 .. 10 kHz: 1 kHz 10 .. 100 kHz: 10 kHz 100 .. 500 kHz: 100 kHz)
	Level (adjustable)	± 10 V
	Accuracy	± 1 %

Measuring		
Voltage	Simulation Range	± 1 %
	Accuracy	± 0,5 %
Current	Measuring Range	± 30 mA
	Accuracy	± 0,5 %

Block Diagram



Delivery Content

- GHM SensorSimulator with protective silicon cover
- Accu, Charger
- Connection cable
- User Manual

Ordering Code

SIM-SenSim-1 1.

1. Option	Order number
No Option	201164
F Frequency output	201366

Accessoires

Name	Description	Order number
SIM-SenSim-KAB	Adapter cable for SIM-SenSim-1 7-pol. Binder on 7-pol. Wago-clamp (Supplied with the unit)	201367
SIM-SenSim-KAB-BNC	Adapter cable for SIM-SenSim-1 - 7-pol. Binder on BNC connector Suitable for simulation of voltage, current, frequency and measurement of voltage, current	201377
SIM-SenSim-BANBOX	BreakOutBox with 7 banana jacks for connection to SIM-SenSim-KAB adapter cable	201368
SIM-SenSim-Case	Case for GHM-SenSim-1 and accessories (340 x 275 x 83 mm) 	201378
SIM-SenSim-ST-BB7	7 pin Binder connector Suitable for SIM-SenSim for the self-assembly of connecting cables 	200448