

**Product Information**

# Standard Signal Meter S1010



- Measuring input for standard signals 0/4..20 mA or 0..10 V
- LED display 14.2 mm red, indicating range ±9999(0) digit
- Max. 2 alarm outputs, relay SPDT
- Analog output 0/4..20 mA, 0/2..10 V
- Field case with snap-lid, cable glands 2 x M16x1.5

**Characteristics**

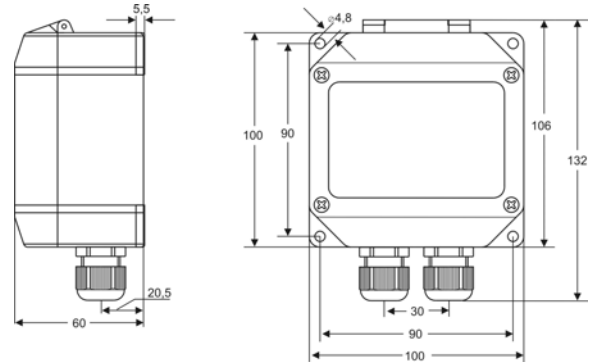
The Standard Signal Meter S1010 has been designed for measuring industry standard signals 0/4..20 mA or 0..10 V DC. The device offers an integrated transmitter supply for direct connection of 2- and 3-wire transmitters for e.g. pressure or temperature. Indicating range and decimal point are free programmable in the range ± 9999(0) digit.

**Technical data**

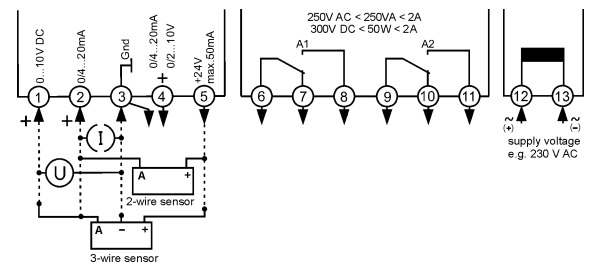
- Power supply**  
 Supply voltage : 230 V AC ±10 %; 115 V AC ±10 %, 24 V AC ±10 % or 24 V DC ±15 %
- Power consumption** : max. 3.5 VA  
**Operating temp.** : -20..+55 °C  
**CE-conformity** : EN 61326-1:2013; EN 60664-1:2007
- Input**  
 Current : 0/4..20 mA Ri = 10 Ω  
 Voltage : 0..10 V Ri = >100 kΩ  
 Potentiometer : 0..1 kΩ / 100 kΩ  
 Accuracy : < 0.1 % ± 2 digit  
 Transmitter supply : U<sub>0</sub> approx. 24 V, Ri ca. 150 Ω, max. 50 mA (max. 25 mA with relay and analog output)
- Display** : LED red, 14.2 mm  
 Indicating range : ±9999(0) digit with leading zero suppression  
 Parameter display : LED 2-digit red, 7 mm (parameter and output indicator)
- Output**  
 Relay : SPDT < 250 V AC < 250 VA < 2 A, < 300 V DC < 50 W < 2 A  
 Analog : 0/4..20 mA burden ≤ 500 Ω; 0/2..10 V burden > 500 Ω, without isolation, automatically output changing  
 - accuracy : 0.1 %; TK 0.01 %/K

- Field case** : material PA6-GF 15/15  
**Dimensions** : 100x100x60 mm  
**Weight** : max. 350 g  
**Cable glands** : 2 x M16x1.5  
**Connection** : clamp terminals, 0.08..1.5 mm<sup>2</sup>, AWG28..AWG14  
**Protection class** : front IP65, terminals IP20 acc. to BGV A3

**Dimensions**



**Connection diagram**



**Ordering code**

S1010 - 1. - 2. - 3. - 4. - 5. - 6. - 7.

<b>1. Input</b>	
1	standard signals 0/4..20 mA, 0..10 V DC, integrated transmitter supply 24V max. 50 mA
<b>2. Alarm output</b>	
00	not installed
2R	2 relay outputs
<b>3. Analog output</b>	
00	not installed
AO	analog output 0/4..20 mA, 0/2..10 V DC
<b>4. Supply voltage</b>	
0	230 V AC ±10 % 50-60Hz
1	115 V AC ±10 % 50-60Hz
4	24 V AC ±10 % 50-60Hz
5	24 V DC ±15 %
<b>5. Options</b>	
00	without option
01	min- and max-peak hold
07	display brightness programmable
08	analog output free programmable
09	1xM20x1,5 multi (2xØ6mm), 1xM20x1,5
<b>6. Unit</b> (appears in the unit field)	
<b>7. Additional text</b> placed above the display (3x70 mm HxW)	