

Product Information

Capacitive Level Switch MLC490/492



Sensor	
Radiated frequency	: 40.68 MHz, <1 mW
Measuring range	: DK-value 5..175 MLC490 DK-value 1..175 MLC492
Factory setting	: DK-value = 20 (MLC490) DK-value = 1 (MLC492)
Initialization time	: 3 s
Process temperature	: -20..+80 °C 100 °C < 60 min CIP-capable *
Process pressure	: -1..+10 bar
Process material	: 1.4404, PEEK, FDA approval number 21CFR177.2415
Surface quality	: $R_a \leq 0,8\mu\text{m}$
Process connection	: G1" hygienic
Stud torque	: 10..20 Nm
Mounting length	: min. 130 mm; max. 1000 mm
Mounting direction	: arbitrary, see mounting notes
Output	
Switching output	: transistor PNP or NPN max. 30 V / 100 mA
Response time	: programmable from 0.01..10 s
Isolation	: sensor, case/supply, outputs
Case	
Material	: 1.4305
Protection class	: IP67 / IP69K

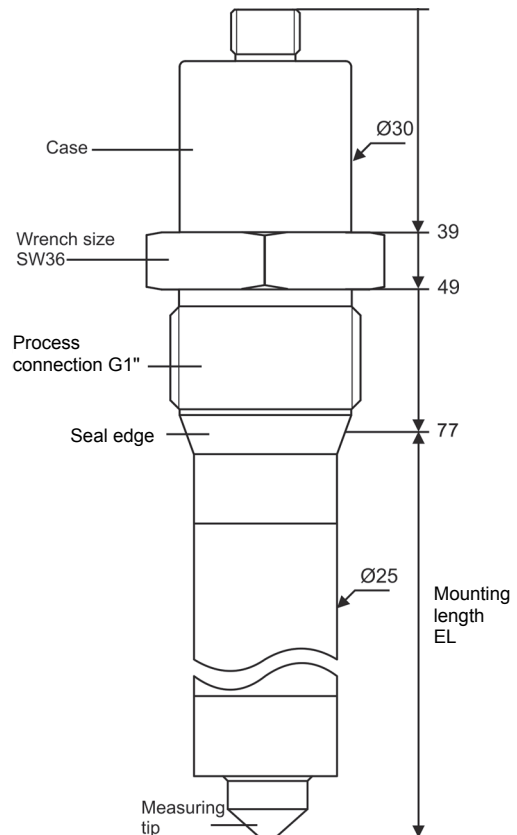
* For sterilisation processes with more than 100°C the device must be cut off from the power supply.

- Galvanic isolation
- Microprocessor controlled measurement
- Parametrization via GHMware and adapter EYY120
- No moving parts in the medium
- Switching function depends to the polarity of the supply voltage
- Condensate-stability type

Technical data

Power supply	
Supply voltage	: 18..30 V DC, max. 50 mA
Electrical connection	: M12x1 plug
CE-conformity	: EN 61326:2007-05
Ambient conditions	
Ambient temperature	: -20..+80 °C
Storage temperature	: -20..+105 °C
Climatic class	: EN 60068-2-38:2010-06
Vibration class	: EN 60068-2-6, GL test2

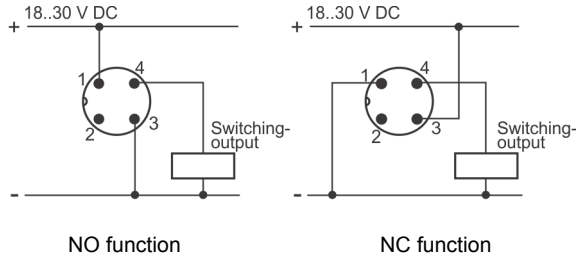
Dimensions



Product Information

Connection diagram

M12 plug (PNP)
 (factory setting)



Cable colors:
 1 = brown, 2 = white, 3 = blue, 4 = black

Ordering code

MLC49 1. - 2. - 3. - 4. - 5. - 6. - 7.

1. Measuring range	
0	DK-value 5..175
2	DK-value 1..175
2. Mounting length EL [mm]	
130	
200	
300	
400	
500	
600	
700	
800	
900	
1000	
XXX	custom length min. 130 mm, max. 1000 mm
3. Switching output	
0	PNP (standard)
1	NPN
4. Electrical connection	
0	M12-plug
5. Inspection window	
0	without window
6. Options	
00	without option
11	
7. Certificate DIN EN 10204 (indicate only when required, multiple responses possible)	
RA08	R _a < 0,8µm (with acceptance test certificate 3.1 incl. measurement report)
RA06	R _a < 0,6µm (with acceptance test certificate 3.1 incl. measurement report)
WZ2.2	factory certification 2.2
APZMAT	acceptance test certificate 3.1 for material (in contact with products)

Accessories:

ACH connection cables
 APH process connection
 see separate product information **GHMadapt/Accessories**.

EYY120 Programming adapter