

## Product Information

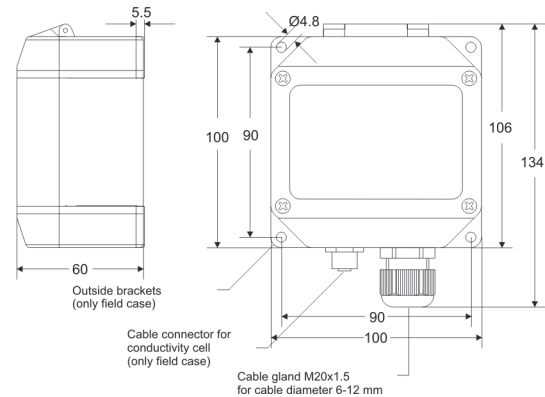
## Analysis - Conductivity

# Conductivity Converter UNICON®-LF



Weight : max. 360 g  
 Connection : screw terminal with pressure plate,  
 2.5 mm<sup>2</sup> flexible wire, 4 mm<sup>2</sup> single wire  
 and plug-in cable for sensor  
 Protection class : IP65, terminals IP20 acc. to BGV A3

## Dimensions



## Characteristics

The Conductivity Converter UNICON-LF has been designed for the measurement of conductivity, as a degree of the purity or concentration of a liquid. In connection with 4-electrode-conductivity cells a high accuracy and insensitivity of contamination can be achieved. A further advantage is a broad range of application with only one cell. Only for measurement in ultra-pure water a special 2-electrode conductivity cell must be used.

## Technical data

### Power supply

Loop voltage :  $U_B$  14..30 V DC, 2-wire connection  
 Operating temperature : 0..50 °C  
 CE- conformity : EN 61326-1:2013

### Conductivity output

Current : 4..20 mA  
 Unit : programmable  $\mu$ S/cm; mS/cm;  
 k $\Omega$ /cm; M $\Omega$ /cm

Decimals : 0..3 digit (unit depending)  
 Indicating range : 500..9999 Digit (unit and decimals depending)

min./max. MR : 0..5.00  $\mu$ S/cm bis 0..500.0 mS/cm;  
 0..0.500  $\mu$ S/cm / 0..50.0  $\mu$ S/cm  
 with ultra-pure cell

Temperature comp. : non linear for ultra pure water and natural  
 water or linear programmable from  
 0.000..8.000 %/°C

-Cell constant : 0.080..9.999  
 -Accuracy :  $\pm 0.5$  % of the measuring value,  $\pm 2$  Digit

### Temperature output

Current : 4..20 mA  
 Burden :  $RA \leq (U_B - 14 \text{ V}) \div 0.02 \text{ A}$   
 Temperature sensor : RTD Pt100 or Pt1000 acc. to DIN IEC 751  
 Unit : °C, °F programmable  
 Measuring range : -40.0..+160.0 °C

### Alarm outputs

Transistor : 14..30 V DC, max. 60 mA  
 Voltage drop : < 2V

### MR switch over

$R_i$  : >10 k $\Omega$   
 MB1 active :  $U = 0..3 \text{ V DC}$   
 MB2 active :  $U = 12..30 \text{ V DC}$

**Display** : LCD-dot matrix, 3.8mm characters

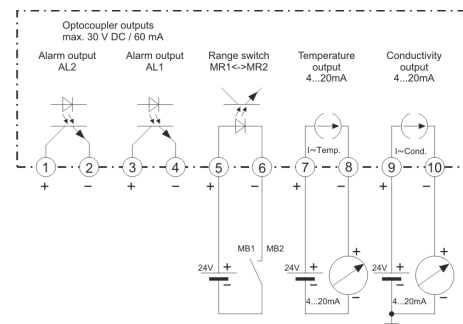
Range : 2 lines 16 characters each

**Case** : head case / field case

Material : case polyamide with fiber glass  
 PA6-GF/GK 15/15, front foil polyester

Dimensions : 100 x 100 x 60 mm (WxHxD)

## Connection diagram



## Ordering code

UNICON-LF -  1. -  2. -  3. -  4. -  5.

1. Model	
1	output 4..20 mA for conductivity 2 electronic alarm outputs
2	as 1, but 2 <sup>nd</sup> measuring range for conductivity, output 4..20 mA for temperature
2. Mounting	
01	head mounting, on the cell
02	field mounting, separate connection cable page Fehler: Referenz nicht gefunden
03	as 02, but plug stainless steel
3. Measuring principle	
4	4-electrode measurement (2-electrode cell connectable )
4. Temperature compensation	
1	RTD Pt100
3	RTD Pt1000
5. Options	
00	without option
14	measurement/monitoring acc. to USP <645>

Accessories see page Fehler: Referenz nicht gefunden

Connection diagrams see page Fehler: Referenz nicht gefunden