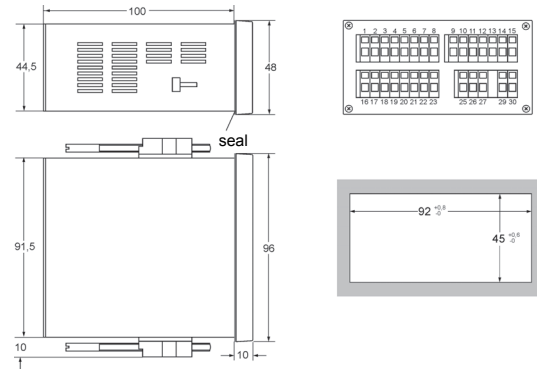


Product Information

# Alarm-Display SD9648



## Dimensions



## Characteristics

The Alarm-Display SD9648 will be used for indicating and evaluations of alarm signals as well as analog measured values. Activation with voltage free contacts, 0/24 V signals or 0/4..20 mA for monitoring of analog measuring values.

## Technical data

### Power supply

Supply voltage : 230 V AC  $\pm 10\%$ , 115 V AC  $\pm 10\%$ ,  
 24 V AC  $\pm 10\%$ , 24 V DC  $\pm 15\%$

Frequency AC : 50 / 60 Hz  
 Power consumption : max. 3.5 VA

Operating temperature : 0..50 °C  
 CE- conformity : EN 61326-1:2013  
 EN 60664-1:2007

### Inputs

Digital : 0 / 24 V DC,  $R_i = 10\text{ k}\Omega$ ,  
 switching threshold  
 low < 4 V, high > 11 V max. 35 V

Impulse/pause : min. 10 ms  
 Analog : 0 / 4..20 mA,  $R_i = 100\ \Omega$   
 voltage drop max. 2.2 V at 20 mA  
 over-load limit approx. 23 mA (max. voltage 35 V). With powerless device the inputs became a high resistance

Accuracy : 0.1 %,  $\pm 1$  Digit  
 Transmitter supply :  $U_o = 24\text{ V}$ ,  $R_i 150\ \Omega$ , max. 50 mA  
**Display** : LCD-dot matrix display white / blue,  
 character height 6.5 mm, with back-lite  
 2 lines 16 characters each

Display interval : 0.5 s (refresh time)

### Output

Relay SPDT : < 250 V AC < 250 VA < 2 A,  
 < 300 V DC < 50 W < 2 A

### Case

: panel case DIN 96x48,  
 Material PA6-GF; UL94V-0

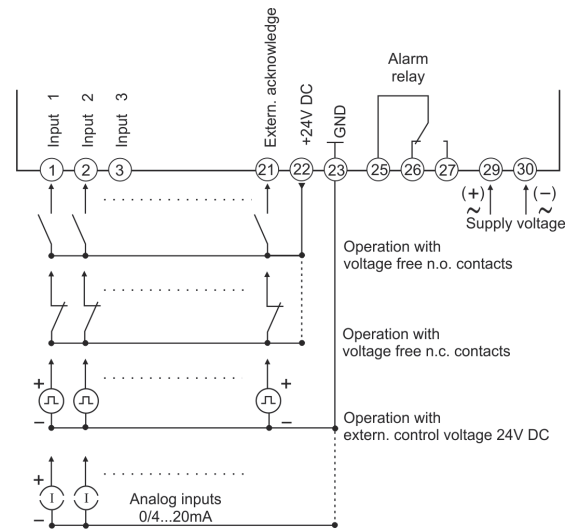
Dimensions : front 96x48 mm, mounting depth 100mm

Weight : max. 390 g

Connection : clamp terminals, 0.08..1.5 mm<sup>2</sup>,  
 AWG28..AWG14

Protection class : front IP65, terminals IP20 acc. to BGV A3

## Connection diagram



## Ordering code

SD9648 - 1. - 2. - 3. - 4. - 5.

1. Inputs	
1	20 digital inputs
2	12 digital + 8 analog inputs
2. Real time clock	
0	without clock
1	with clock
3. Supply voltage	
0	230 V AC $\pm 10\%$ 50-60Hz
1	115 V AC $\pm 10\%$ 50-60Hz
4	24 V AC $\pm 10\%$ 50-60Hz
5	24 V DC $\pm 15\%$
4. Options	
00	without option
5. Additional text above the display (3x90mm HxW)	