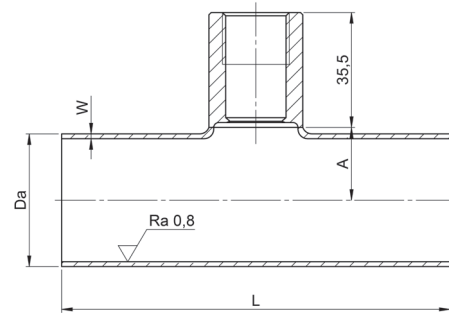


Product Information

Hygienic welding fittings series APH material 1.4404 • DIN 11850 series 2

Hygienic welding fittings can also be customized and delivered according to DIN 11850 series 1, DIN 11866 series C (OD Tube) or DIN 11866 series B (EN ISO 1127).



Process thread M12	DN	L	A	Da x W
APH501-015-00	15	70	10	19 x 1.5
APH501-025-00	25	100	15	29 x 1.5
APH501-040-00	40	120	22	41 x 1.5
APH501-050-00	50	140	29	53 x 1.5
APH501-065-00	65	160	38	70 x 2.0
APH501-080-00	80	180	46	85 x 2.0
Process thread G 1/2"				
APH502-025-00	25	100	15	29 x 1.5
APH502-040-00	40	120	22	41 x 1.5
APH502-050-00	50	140	29	53 x 1.5
APH502-065-00	65	160	38	70 x 2.0
APH502-080-00	80	180	46	85 x 2.0
APH502-100-00	100	200	55	104 x 2.0
Process thread G 1"				
APH503-025-00	25	100	15	29 x 1.5
APH503-040-00	40	120	22	41 x 1.5
APH503-050-00	50	140	29	53 x 1.5
APH503-065-00	65	160	38	70 x 2.0
APH503-080-00	80	180	46	85 x 2.0
APH503-100-00	100	200	55	104 x 2.0

Certificates and protocols for all APH articles

The above-named welding sleeves, fittings and process adapters can be also delivered with below-listed test reports, inspection certificates or measurement protocols for surfaces according to DIN EN 10204

Test report 2.2	Option: WZ2.2
Inspection certificate 3.1 material in contact with products	Option: APZMAT
Measurement protocol for surface roughness incl. inspection certificate 3.1 material	Option: RA08 Option: RA06 Option: RA04

These options will be added to the article number on request, whereby multiple responses are possible. E.g. APH501-015-00-WZ2.2 APH501-015-00-WZ2.2-RA06

Note: All above-listed welding sleeves, fittings and process adapters can be also delivered in stainless steel 1.4435.