

Product Information

# Monitoring Relay GS500



- Input 0/4..20 mA, 0/2..10 V DC
- Contact function min/max selectable
- Hysteresis and switching delay adjustable

## Characteristics

The GS500 can be used for monitoring physical processes presented as industry standard signal. Limit value can be set from 0..100%. The adjustable switching delay prevents that short signal peaks does not activate the alarm. By an adjustable switching hysteresis a frequently switching can be suppressed with small signal variations.

## Technical data

### Power supply

Supply voltage : 230 V AC  $\pm 10\%$  or 24 V DC -30/+40 %  
 Frequency AC : 47..63 Hz  
 Power consumption : <3 VA  
 Operating temperature: -10..+50 °C  
 (-25..+70 °C special device)  
 CE-conformity : EN 61326-1:2013  
 EN 60664-1:2007

### Inputs

Scale error :  $\leq 2\%$   
 Repeatability :  $\leq 0.1\%$   
**Current**  
 Range : 0/4..20 mA selectable  
 Input resistance : 125  $\Omega$   
 Over-load : 2-times, 4-times for max. 5 seconds

### Voltage

Range : 0/2..10 V DC selectable  
 Input resistance : 40 k $\Omega$   
 Over-load : max. 100 V DC

### Outputs

Relay SPDT : 250 V AC < 250 V A < 2 A;  
 100 V DC < 50 W < 1 A

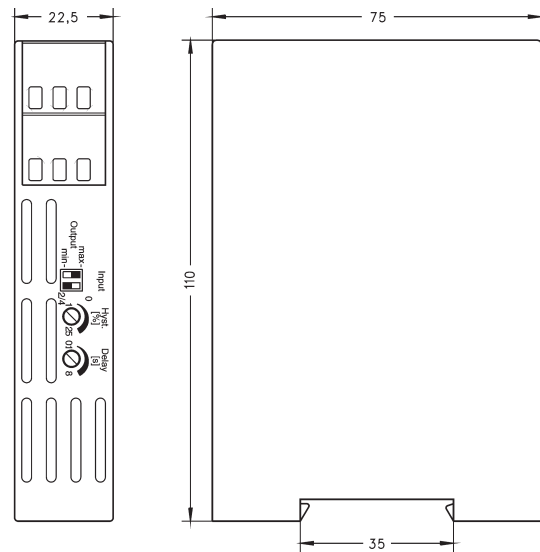
Switching function : min./max. selectable  
 Hysteresis : 1..25 %  
 Time delay : 0.1..8 seconds

### Case

: standard case polycarbonate  
 8020 UL 94 V-1 acc. to  
 DIN EN 60715:2001-09, DIN rail TS35

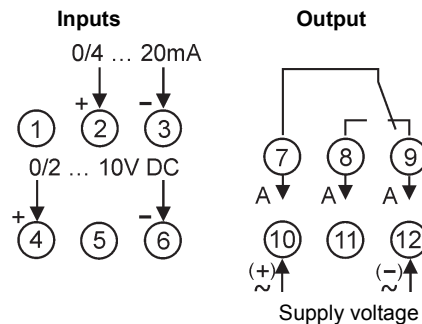
Weight : approx. 200 g  
 Connection : screw terminals, max. 2.5 mm<sup>2</sup>  
 Protection class : case IP30, terminals IP20 acc. to BGV A3

## Dimensions



DIN rail mounting TS35

## Connection diagram



### Caution:

It is not permissible to use current and voltage inputs at the same time!

## Ordering code

GS500 - 1. - 2.

<b>1. Measuring range</b>		
10	Standard device 0/4..20 mA, 0/2..10 V DC	
<b>2. Supply voltage</b>		
0	230 V AC	$\pm 10\%$
5	24 V DC	-30..40 %