

Product Information

Analog Frequency Transmitter AF500



- Output frequency from 0..0.01Hz/20 kHz programmable
- Inputs for 0/4..20 mA, 0/2..10 V DC
- Teach-in programming for analog start- and end value
- Outputs transistor and relay SPDT
- Power- and programming indicator via 2-color LED

Characteristics

Analog frequency transmitter AF500 converts standard industry signals 0/4..20 mA or 0/2..10 V DC into a proportional frequency. The output frequency is programmable with rotary switches at the case side.

Technical data

Power supply
 Supply voltage : 230 V AC ±10 % or 24 V DC ±15 %
 Frequency : 47..63 Hz
 Power consumption: < 3 VA

Operating temperature : -10..+60 °C
CE-conformity : EN 61326-1:2013; EN 60664-1:2007

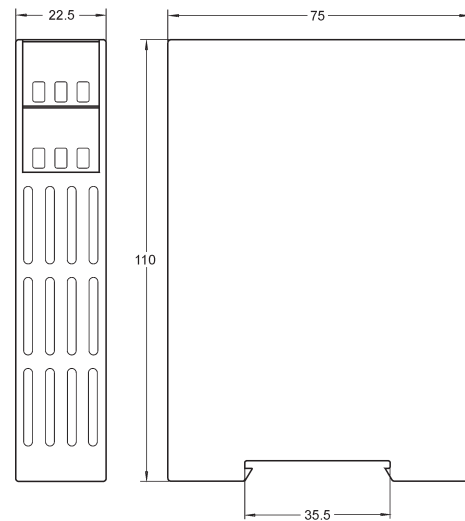
Input
 Current : 0/4..20 mA, switch selectable
 - Ri : 51 Ω
 Voltage : 0/2..10 V DC, switch selectable
 - Ri : 20 kΩ
 Start value : via software programmable 0..25 %
 End value : via software programmable -15..+10 %

Output
 Transistor : max. 30 V DC, load max. 30 mA
 - Frequency range : 0..0.01 Hz , 0..20 kHz duty cycle 0.5
 Relay SPDT : 250 V AC < 250 VA < 2 A,
 100 V DC < 50 W < 1 A
 - Frequency range : 0..0.01 Hz, 0..9.9 Hz, duty cycle 0.5
 Accuracy : 0.1 % of the end value

Case : Polycarbonate, UL94V-0
 TS 35 acc. to DIN EN 60715:2001-09

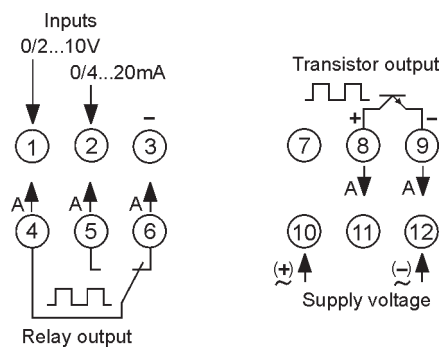
Weight : approx. 140 g
Connection : screw terminal, max. 2.5 mm²
Protection class : case IP30,
 terminals IP20 acc. to BGV A3

Dimensions



DIN rail mounting TS35

Connection diagrams



Ordering code

AF500 - 1. - 2. - 3.

1. Measuring range	
10	0/4..20 mA, 0/2..10 V DC output frequency from 0..0.01 up to 20 kHz
2. Supply voltage	
0	230 V AC ±10 %
5	24 V DC ±15 %
3. Options	
00	without option