

Product Information

NR

Level Switch NR



- Mounted in the cover
- Adjustable switching points in 10 mm grid
- Up to four contacts

Characteristics

Mechanical level monitor for fluid media, with contact-free triggering of a reed contact.

Technical data

Switch	reed switch	
Process connection	flange Ø120 or male thread G 2 A	
Density of medium	³ 0.66 g/cm³	
Overall length	250..1000 mm, for details see "Dimensions and weights"	
Pressure resistance	PN 5 bar	
Medium temperature	-5..+100 °C	
Ambient temperature	-5..+70 °C	
Media	water, oils	
Wiring	'normally open' / 'normally closed' or changeover	The switching units are to be ordered separately, see "Switching contact NR-000"
Switching voltage	max. 250 V AC	
Switching current	max. 1 A	
Switching capacity	max. 250 VA	
Protection class	2 - safety insulation	
Ingress protection	IP 65	
Electrical connection	cable screw gland Pg 13.5	
Materials medium-contact	flanged type	CW508L, GD-AISI12, 1.4571
	threaded type	1.4571
Non-medium-contact materials	GD-AISI 12, NBR, PA	
Weight	see table "Dimensions and weights"	
Installation location	vertical installation position	

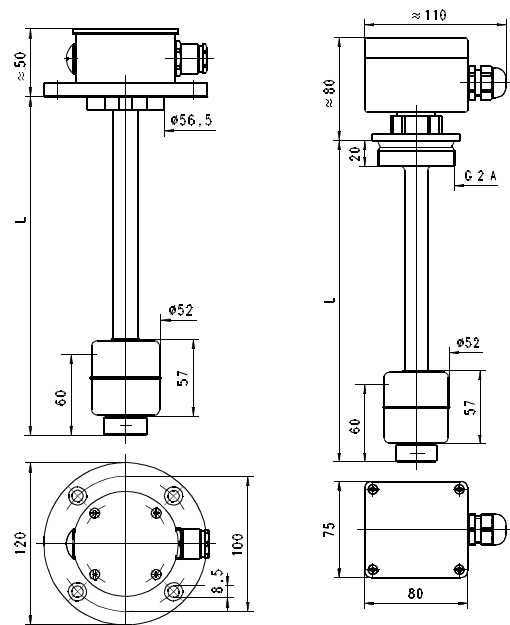
Dimensions and weights

Flanged type

Types	L	Maximum number of switching contacts to be ordered separately	Weight kg
		'normally open' / 'normally closed' NR-000	
NR-120EA0250	250	2	1.0
NR-120EA0500	500	3	1.1
NR-120EA0750	750	4	1.3
NR-120EA1000	1000		1.4

Threaded type

Types	L	Maximum number of switching contacts to be ordered separately	Weight kg
		'normally open' / 'normally closed' NR-000	
NR-050HK0250	250	2	1.3
NR-050HK0500	500	3	1.4
NR-050HK0750	750	4	1.6
NR-050HK1000	1000		1.7



Details of float location 60 mm for density 1 g/cm³.
The device is delivered without a seal.

Handling and Operation

Note

- It must be ensured that the values given for voltage, current, and power are not exceeded.
- When switched on, a load must be connected in series.
- The electrical details apply to ohmic loads. Capacitive, inductive and lamp loads must be operated using a protective circuit.
- Not suitable for use in media with ferritic particles.

Product Information

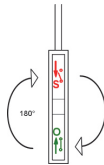
NR

Commissioning

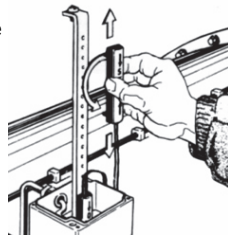
- Number of possible switching contacts:

Length Level monitor	'normally open' / 'normally closed'	optionally transformer
250	2	2
500	3	3
750	4	
1000		

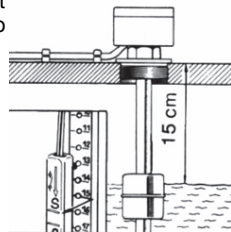
- The switching contacts must be activated before commissioning. By turning the switching module through 180°, the switching function is changed from 'normally open' to 'normally closed'. Minimum contact separation 80 mm.



- Release and pull out the perforated strip. The switching contacts can be fitted at a resolution of 10 mm.



- The switching points can be set exactly using the marking applied to the perforated strip.



Switching Contact NR-000



Technical data

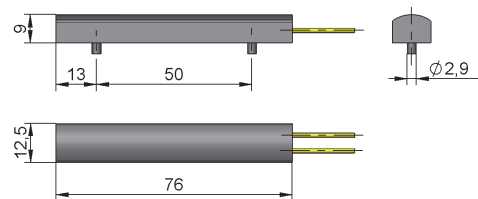
Switch	reed switch
Operating temperature	-5..+100 °C
Wiring	'normally open' / 'normally closed' No. 0.449
Switching voltage	max. 250 V
Switching current	max. 1,0 A
Switching capacity	max. 250 VA
Protection class	2 - safety insulation
Ingress protection	IP 65
Connection	wiring 2.1 m
Non-medium-contact materials	PA, PVC
Weight	0.04 kg

Ordering code

NR - 1. 2.

1. Connection size / material	
120EA	flange Ø120 aluminium
050HK	male thread G 2 A stainless steel
2. Length	
0250	250 mm
0500	500 mm
0750	750 mm
1000	1000 mm

Dimensions



Ordering code

Please order switching contact(s) separately from devices NR-050HK... and NR-120EA...

NR - 1.

○=Option

1. Connection function	
000	'normally open' / 'normally closed'