

**Product Information**

**UK- / UKV-040GM / K**

**Flow Meter  
UK-040**



- Frontal scale imprint
- Optionally valve
- Installation plate

**Characteristics**

A float moves in a transparent conical measurement tube, relative to the flow. The position of the float depends on the volume flow (weight force versus resistance to flow), and indicates the flow rate on the scaled measurement tube.

**Technical data**

<b>Switch</b>	without	
<b>Nominal width</b>	DN 4	
<b>Process connection</b>	female thread 1/8" NPT	
<b>Metering range</b>	0.004..100 l/min	for details see table "Ranges"
<b>Q<sub>max.</sub></b>	to 120 l/min	
<b>Tolerance</b>	±3 % of full scale value	
<b>Pressure resistance</b>	PN 6 bar	
<b>Medium temperature</b>	-20..+65 °C	
<b>Ambient temperature</b>	-20..+65 °C	
<b>Media</b>	water, gases	
<b>Electrical data</b>	none	
<b>Materials medium-contact</b>	<i>Brass construction:</i> acrylic, glass, 1.4305, 1.4310, CW614N, NBR	<i>Stainless steel construction:</i> acrylic, glass, 1.4305, 1.4310, FKM
<b>Non-medium-contact materials</b>	acrylic, CW614N, PS valve: ABS, CW614N	
<b>Weight</b>	0.24 kg	
<b>Installation location</b>	vertical inwards flow from below	

**Ranges**

**Medium water**

The details in the table correspond to a vertical inwards flow from below.

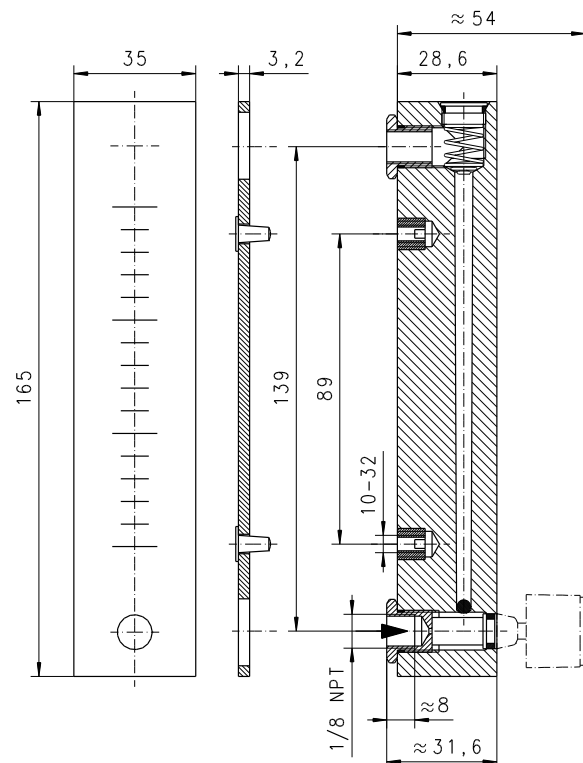
Metering range	Q <sub>max.</sub> recommended	Type
0.2 - 3 l/h	6 l/min	UK.-040G.W0003
0.6 - 8 l/h		UK.-040G.W0008
1.0 - 14 l/h		UK.-040G.W0014
4.0 - 40 l/h		UK.-040G.W0040
8.0 - 80 l/h		UK.-040G.W0080
20.0 - 220 l/h		UK.-040G.W0220

**Medium air**

The details in the table correspond to a vertical inwards flow from below, with the medium at a temperature of 20 °C and a pre-pressure of 1.013 bar.

Metering range	Q <sub>max.</sub> recommended	Type
100 - 1000 cm <sup>3</sup> /min	1200 cm <sup>3</sup> /min	UK.-040G.L0001
0.4 - 5 NI/min	6.0 NI/min	UK.-040G.L0005
1.0 - 10 NI/min	12.0 NI/min	UK.-040G.L0010
2.0 - 20 NI/min	24.0 NI/min	UK.-040G.L0020
3.0 - 30 NI/min	36.0 NI/min	UK.-040G.L0030
4.0 - 50 NI/min	60.0 NI/min	UK.-040G.L0050
10.0 - 100 NI/min	120.0 NI/min	UK.-040G.L0100

**Dimensions**



**Product Information**

**UK- / UKV-040GM / K**

**Handling and operation**

- Include straight calming section of 5 x DN in inlet and outlet
- If the media are dirty, install a filter

**Ordering code**

UK  1.  2.  3.  4.  5.

UK   040  G

<b>1. Valve</b>	
-	without valve
V-	with valve
<b>2. Series</b>	
040	040, 1/8" NPT
<b>3. Process connection</b>	
G	female thread
<b>4. Connection material</b>	
M	brass
K	stainless steel
<b>5. Display range H<sub>2</sub>O for vertical inwards flow</b>	
W0003	0.2 - 3 l/h
W0008	0.6 - 8 l/h
W0014	1.0 - 14 l/h
W0040	4.0 - 40 l/h
W0080	8.0 - 80 l/h
W0220	20.0 - 220 l/h
<b>Display range air (20 °C 1.013 bar abs.) for vertical inwards flow</b>	
L0001	100 - 1000 cm <sup>3</sup> /min
L0005	0.4 - 5 NI/min
L0010	1.0 - 10 NI/min
L0020	2.0 - 20 NI/min
L0030	3.0 - 30 NI/min
L0050	4.0 - 50 NI/min
L0100	10.0 - 100 NI/min

**Options**

- Metering ranges and special scales under defined operating pressures / temperatures
- Seal made of FKM only for brass construction)

**Ordering information**

- Specify direction of flow, medium, and display range.
- For gases, state pressure (relative or absolute), temperature and medium (e.g. air) (request display range)