

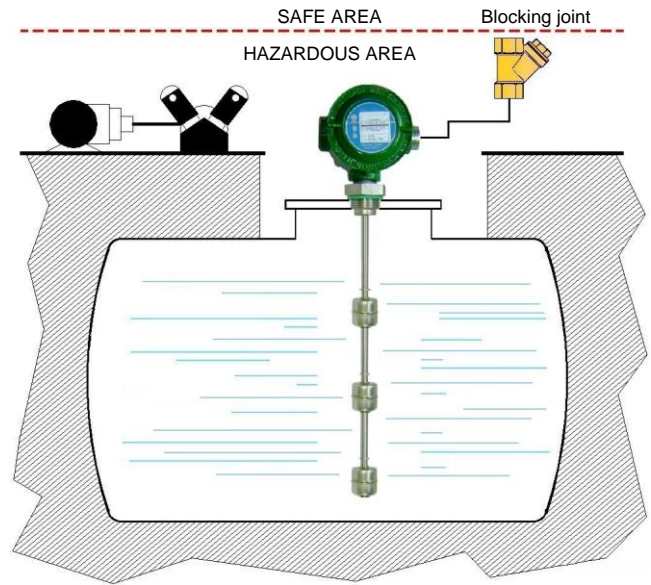
APPROVED IN ACCORDANCE WITH THE EUROPEAN STANDARD 2014/34/EU - ATEX



These instruments, explosion-proof certified **CESI 03 ATEX 272 Ext.2 II 1/2G Exdb IIC T5/T6 Ga/Gb**, are used to control the level of liquids or fuel in tanks, both underground and outdoors, installed in hazardous areas where flammable products are treated.

GENERAL CHARACTERISTICS

- **Stainless steel – AISI 316**
- Up to 6 switch points.
- Up to 6 m length.
- Maximum working pressure 50 bar depending on used float.
- Standard working temperature up to 100°C.
- Executions up to 160°C on request.
- Operating ambient temperature
T6 -40/+40°C **T5** -40/+60°C
- Minimum degree of protection IP67.
- Built-in temperature sensors, on request.
PT – PTC – NTC – Thermostat (Thermoprotector).



FLOATS

Tab.1



Material	Stainless steel – AISI 316									
Specific gravity	0,75		0,55		0,65		0,7		0,6	
Contact type	3	6D	3	6D	4	6	4	6	6	
Max N. of contacts	6	4	6	4	6	6	6	6	6	
Max. bar	30		10		10		50		15	
Max. °C - Class	L = 100°C									
On request	R = 160°C									

ELECTRICAL CONTACTS

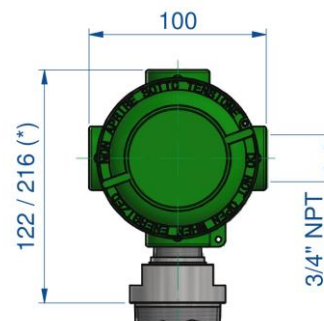
Tab.2

TYPE	POWER		VOLTAGE		CURRENT		
	VA	W	AC	DC	AC	DC	
SPST	3	70	50	300	350	0,5	0,7
SPST	4	80	80	250	250	1,3	1,3
SPDT	6	60	60	230	230	1	1
SPDT	6D	20	20	150	150	0,5	0,5

ELECTRICAL OUTPUT

Tab.3

E1	IP66/67 Housing – Aluminum - Epoxy painted Max. 18 terminals
E3	IP66/67 Housing – AISI 316 St. steel Max. 18 terminals
Heatsink - see dimension (*)	Temperature class R



PROCESS CONNECTIONS

Tab.4

Float type	Installation from outside – available thread and flanges							
	25	32	40	50	FSHX	DN50	DN65	DN125
	1"	1¼"	1½"	2"	Flange	Flange	Flange	Flange
S29	G	G-C-N	-	-	•	-	-	-
S32	G	G-C-N	-	-	•	-	-	-
S41	-	-	G-C-N	G-C-N	•	•	•	-
S52	-	-	-	G-C-N	-	-	•	-
S100	-	-	-	-	-	-	-	•

Male thread

G	C	N
Parallel UNI 228/1	Conical UNI 7/1	Conical NPT

Available materials

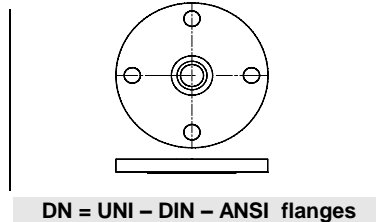
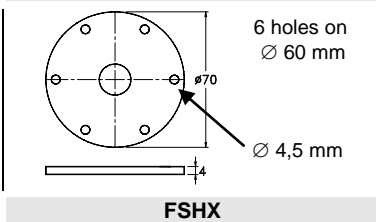
S	T
AISI-316	AISI-304 On request

DN = Available materials

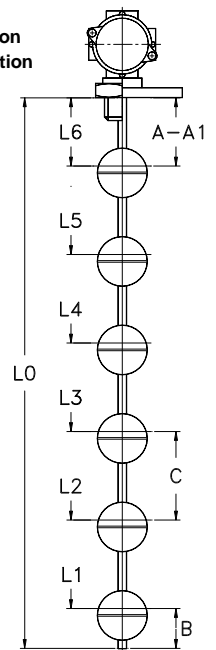
C	S
Steel	AISI-316

FLANGES

Dimensions in mm.



A Flanged connection
A1 Threaded connection



WIRING

Tab.5

I	Independent	Separately wired contacts	1	NO	Contacts status in no level conditions
C	Common	Common wired contacts	2	NC	
S	Custom	Contacts wired on request	3	SPDT	

SWITCH POINTS - Minimum value in mm. Tab.6

The switch points L1 ÷ L6 are measured from the stop of the fitting or flange connection. General tolerances on switch points ± 3 mm.

	Minimum distance in mm.									
	S29		S32		S41		S52		S100	
A	20	20	30	35	60					
A1	40	40	50	55	-					
B	25	25	35	40	70					
C	45	45	65	75	125					
Contact type	3	6D	3	6D	4	6	4	6	6	
Max. N. contacts	6	4	6	4	6	6	6	6	6	

OPTION – Built-in temperature sensor

On request, it is possible to install a temperature sensor located at the bottom of the rod inside the instrument.

PT100 – PT1000	PTC	NTC	TRP (Thermoprotector)
EN 60751 – IEC 751	Resistance at 25°C ≤ 500 Ω	Resistance at 25°C 2-5-10-50-100 KΩ	70°C ÷ 160°C - 10°C step
Class B – A (on request)	Temperature 60°C ÷ 160°C	Precision ± 5% / ± 3% (on request)	Precision ± 5% Differential 40°C

NOMENCLATURE

M2	S41	4	1300	S	50	G	S	E1	L	I22	L1÷L6	
•												Number of contacts S1 / M2÷M6
	•											Tab.1 Float
		•										Tab.2 Electrical contact
			•									- Total length = L0 in mm. (See drawing)
				•								- Stainless steel rod material
					•							Tab.4 Process connection dimension
						•						Tab.4 Process connection thread
							•					Tab.4 Process connection material
								•				Tab.3 Electrical output
									•			Tab.1 Temperature class
										•		Tab.5 Wiring and contact status
											•	Tab.6 Switch points (mm)

All level controls Exd certified must be connected by interposing the appropriate blocking joints according to the European Standard EN 50018.

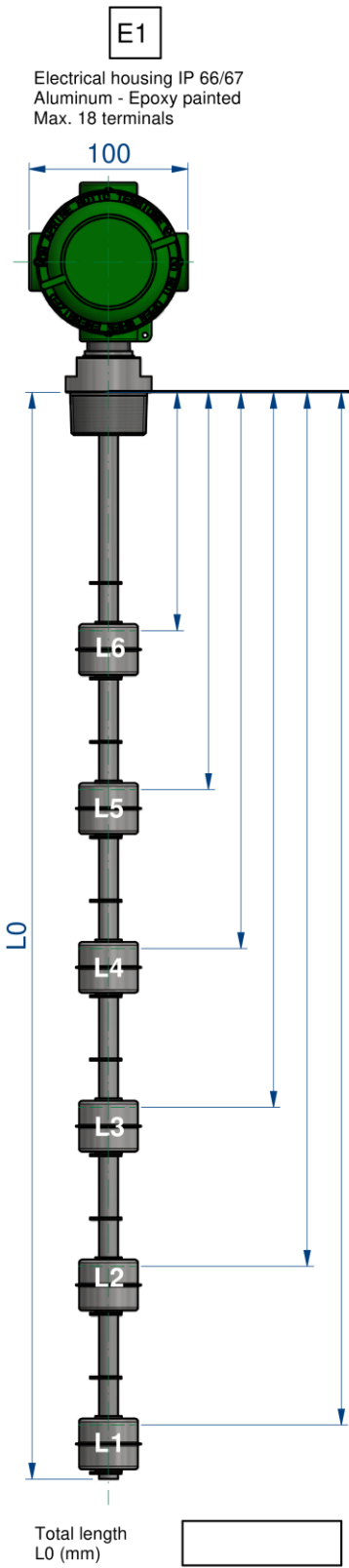
We reserve the right to change the data without notice

BE#167/5-05/2018



Request form

External mounting



E3

Electrical housing IP 66/67
Stainless steel - AISI 316
Max. 18 terminals

STAINLESS STEEL

Liquid under control:

Specific gravity:

Maximum pressure:

Maximum temperature:

Approvals:

Process connection:

Threaded: Flanged:

Material:

Brass AISI-316 PVC PP PVDF

Wirings:

Independent contacts NO or NC (Max. 6 contacts)

Independent SPDT contacts (Max. 4 contacts)

Common wired NO or NC (Max. 6 contacts)

Common wired SPDT contacts (Max. 5 contacts)