

Level Switch RWI



- Installation from inside or outside
- Highly reproducible
- Normally open or normally closed contact

Characteristics

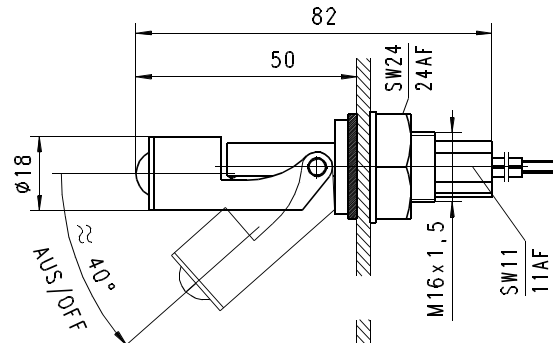
Mechanical level monitor for fluid media, with contact-free triggering of a reed contact.

Technical data

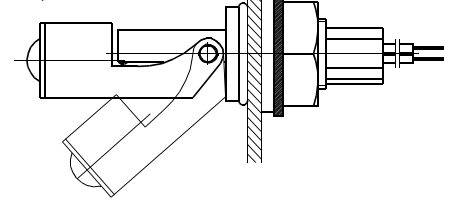
| | | |
|---------------------------------|---|---------------------------------|
| Switch | reed switch | |
| Process connection | male thread M16x1.5 | |
| Density of medium | PP | ≥ 0.60 g/cm ³ |
| | PVDF | ≥ 0.75 g/cm ³ |
| Pressure resistance | PP | PN 3 bar |
| | PVDF | PN 6 bar |
| Medium temperature | PP | -20..+90 °C |
| | PVDF | -20..+130 °C |
| Ambient temperature | -20..+70 °C | |
| Media | water, oils | |
| Wiring | 'normally open' or 'normally closed' No. 0.448 | |
| | | |
| Switching voltage | max. 250 V AC | |
| Switching current | max. 0.5 A | |
| Switching capacity | max. 50 VA | |
| Protection class | 2 - safety insulation | |
| Ingress protection | IP 65 (optimal IP 00) | |
| Electrical connection | cable 0.5 m | |
| Materials medium-contact | <i>PP model:</i> PP, FKM | <i>PVDF model:</i> PVDF, FKM |
| Weight | 0.075 kg | |
| Installation location | horizontal installation | |

Dimensions

Installation from inside, hole diameter Ø16.5



Installation from outside, hole diameter Ø23



Handling and operation

- It must be ensured that the values given for voltage, current, and power are not exceeded.
- When switched on, a load must be connected in series.
- The electrical details apply to ohmic loads. Capacitive, inductive and lamp loads must be operated using a protective circuit.
- Not suitable for use in media with ferritic particles.

Options

- Silicone seal
- Transformer 175 V AC, 0.25 A, 3 VA
- Brass connection G 3/4 A