

# Loop powered panelmeter SP 4824

**4 ... 20 mA LED Display**

## Features

- Display LED 7.6mm red
- Free adjustable indicating range  
-1999 ... +1999 digit
- 20-turn trimpots for display adjustment
- Decimal point switch selectable
- Conversion rate 3/s or 0.5/s
- Plug-in screw terminals
- Protection IP65 available (optional)



Standard case DIN 48x24mm



Field case

## General information

Loop powered panelmeter SP4824 can be used for indicating and measurement applications in process technology and automation. The small case is suitable for installation in control units and panel boards. The input allows indication of any physical dimension, which are stated in a signal of 4...20mA.

## Short information

Display characteristic    Devices are available for increasing or decreasing display

- |                           |     |  |
|---------------------------|-----|--|
| Increasing characteristic | (S) | : Display value increases with input signal (standard) |
| Decreasing characteristic | (F) | : Display value decreases with input signal            |

Conversion rate            Switch selectable from 3 to 0.5 per second

## Technical data

### Input

Current input	: 4 ... 20 mA
Overload range	: -100 ... 150 mA
Voltage drop	: 2.5 ... 3.1 V (depends on chosen display brightness)
Accuracy	: < 0.1 % +/- 1 digit
Temperature coefficient	: < 50 ppm/K
Operating temperature	: -10 ... +60 °C
CE-conformity	: EN55022, IEC61000-4-2/4

### Display

Display range	: -1999 ... 1999
Measuring span	: adjustable 0 ... 4000 digits
Start value	: adjustable -100 ... +25 % of the span
Brightness	: adjustable from $\approx$ 40 ... 100 %
Conversion rate	: switch selectable from 3/s 0.5/s
Character height	: 7.6 mm
Overflow indicator	: "- / " for neg. and " / " for pos. overflow
Color	: red

### Case

: slide-in unit acc. to DIN 43700 of Noryl GFN 2 SE 1,  
 DIN 48x24 mm or field case, material Polycarbonate RAL 7035

### Gewicht

- Standard case DIN48x24  
 - Field case

: approx. 50 g  
 : approx. 270 g

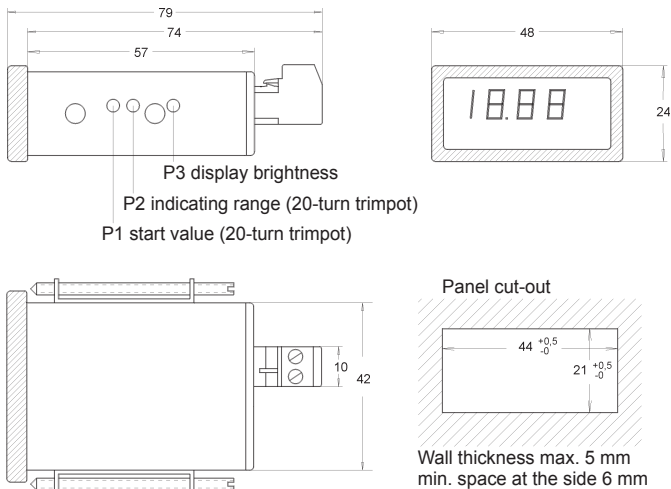
### Connection

: plug-in screw terminals , max.1.5 mm<sup>2</sup>, AWG 16

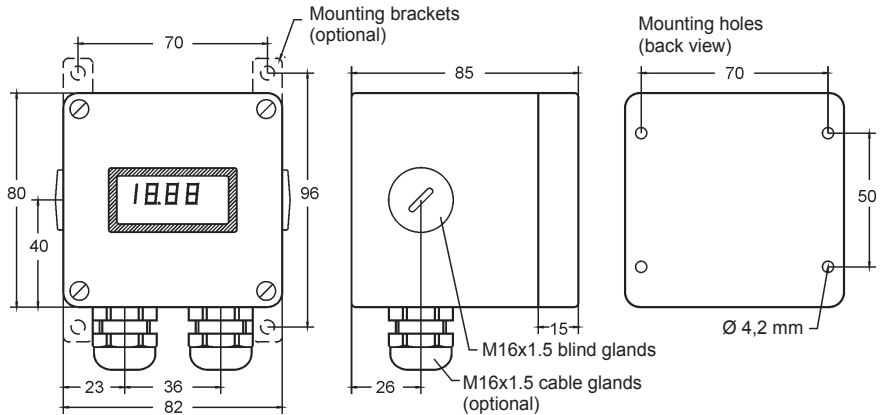
### Protection

: front IP54 (IP65 optional), terminals IP20,  
 finger safe acc. German BGV A3

## Dimensions DIN 48x24 mm

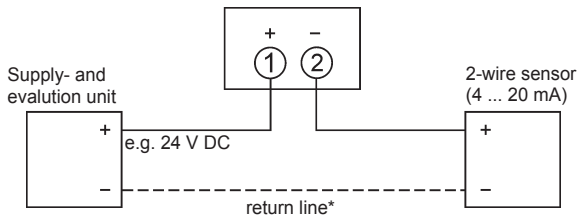


## Field case



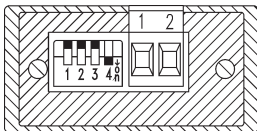
## Connection diagram

SP4824 Standard and Field case  
single wire connection



\*the device can be installed in the return line as well

## Back view



### DIP-switch

- S1 on: *1888*
- S2 on: *1888*
- S3 on: *1888*
- S4 on: conv. rate 3/s
- off: conv. rate 0.5/s

## Adjustment

### Display start value = 0:

1. Decimal point position see Switches S1-S3
2. Input current 4 mA, adjust display 000 with P1 (factory setting)
3. Input current 20 mA, adjust span with P2

### Display start value ≠ 0:

1. See before
2. See before
3. Input current 12 mA, adjust display to 1/2 of this span with P2.  
*Example:*  
*indication range -100 ... +200 ⇒ span = 300 digit*  
*1/2 span = 150 digit*
4. Input current 4 mA, adjust display to initial value with P1.
5. Check start- and end value

## Ordering code:

SP4824 -  1. -  2. -  3. -  4.

With unit, please state in clear text!

### 1. Device type

- 1 Panel case DIN 48x24
- 2 Field case 82x80x85 mm (WxHxD)

### 2. Display characteristic

- S Increasing (Standard)
- F Decreasing

### 3. Protection

- 1 IP54 (Standard)
- 2 IP 65

### 4. Unitit (appears on the front plate) max. 4 characters

### Accessories for field case

Ordering code

10031201	Mounting brackets
204209160051	M16x1.5 cable glands grey, Polyamide, clamp range 2-6 mm
204219160050	M16x1.5 cable glands grey, Polyamide, clamp range 5-10 mm
204251160050	M16x1.5 blind glands grey, Polyamide